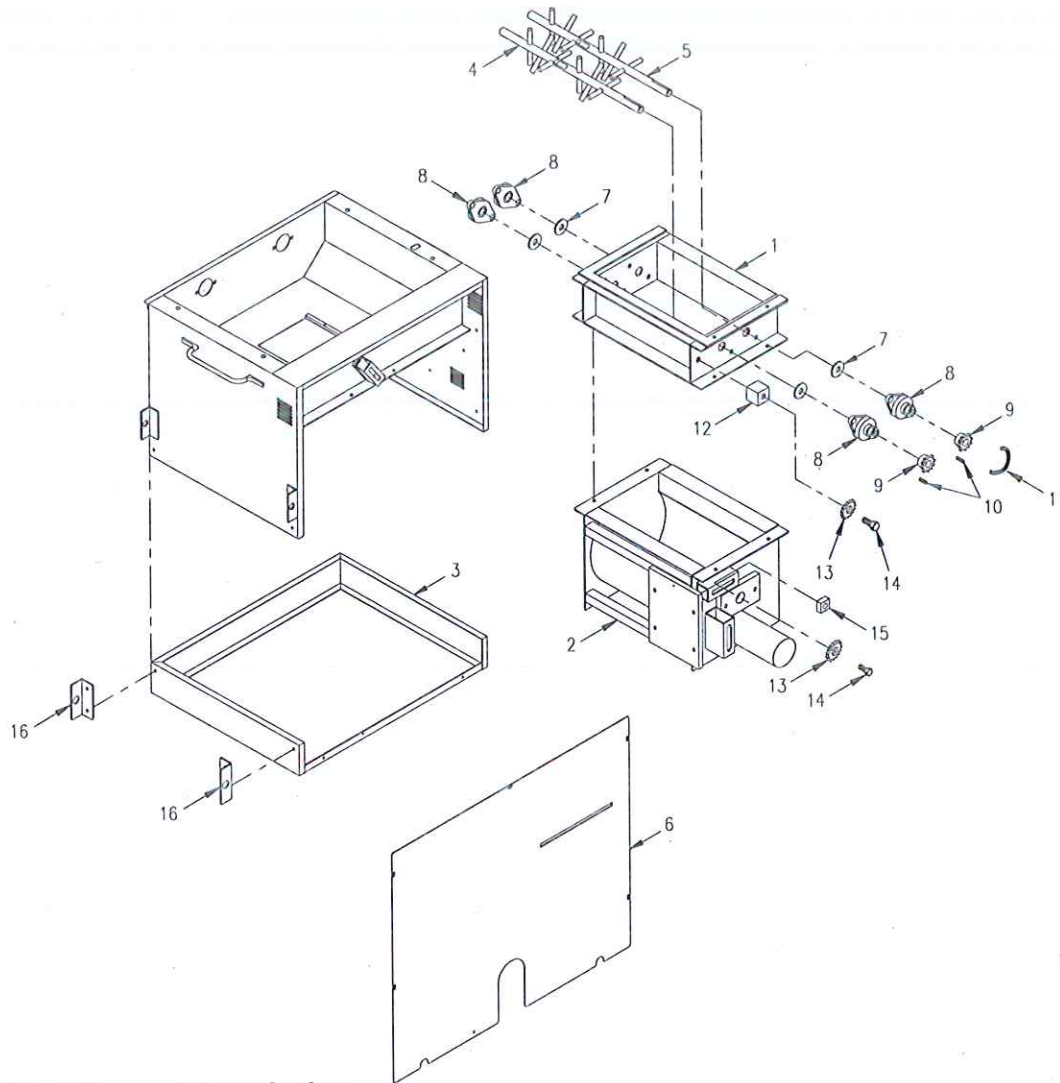


**#575 SHREDDER PARTS LIST**


Item #	Part #	Description
1	575-33	Box, Shredder
2	575-34	Airlock
3	575-35	Extension, Base
4	575-36	Agitator, Shredder (Short)
5	575-37	Agitator, Shredder (Long)
6	575-38	Guard, Chain
7	426-7	Seal, Felt, 3/4" (4)
8	426-6	Bearing, 3/4 Bore (4)
9	418	Sprocket, #40 10T x 3/4" (2)
10	448Z	Key 3/16" x 3/16" x 1" (2)
11	40NP	#40 Chain, 73 1/2" long
12	23-52R	Idler Block
13	432	Sprocket, Idler, #40 17T x 5/8" (2)
14	FSB120	SB 5/8" x 3/4" Shoulder Bolt (2)
15	40052	Nut, 1" x 1/2" (1/2-13), Plated
16	475-5-7	Wheel Mount (2)