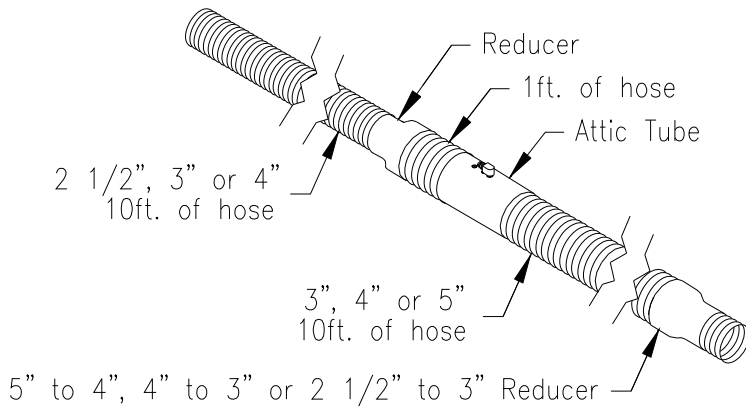


Stabilized Attic Spray Options offer a one jet system which injects water from a garden hose (or medium pressure pump) into blowing fiber, reducing dust and promoting the set-up of material. This product is recommended for use with all-fiber airlock machines only.

SYSTEM COMPONENTS

IWS HOSE ASSEMBLIES



ATTIC TUBE ASSEMBLIES



- 367C-3C-CONE IWS Hose Assy, 3" (w/spray tip)
(sold with 10ft. of 2 1/2" hose, 10 ft. of 3" hose, 2 1/2" to 3" Reducer)
 - 367C-4C-CONE IWS Hose Assy, 4" (w/spray tip)
(sold with 10ft. of 3" hose, 10 ft. of 4" hose, 4" to 3" Reducer)
 - 367C-5C-CONE IWS Hose Assy, 5" (w/spray tip)
(sold with 10ft. of 4" hose, 10ft. of 5" hose, 5" to 4" Reducer)
- *Above assy's sold with 3/8BD-3-.50 spray tip, reducer and hose.

- 367C-3A Attic Tube Assy, 3" (w/spray tip)
- 367C-4A Attic Tube Assy, 4" (w/spray tip)
- 367C-5A Attic Tube Assy, 5" (w/spray tip)

CONTROL MODULE W/WATER LINE



- 367C-B 24V Control Module with Water Line
- 367C-D 12V Control Module with Water Line
- ELU-367C-B 24V w/ELU Control Module with Water Line

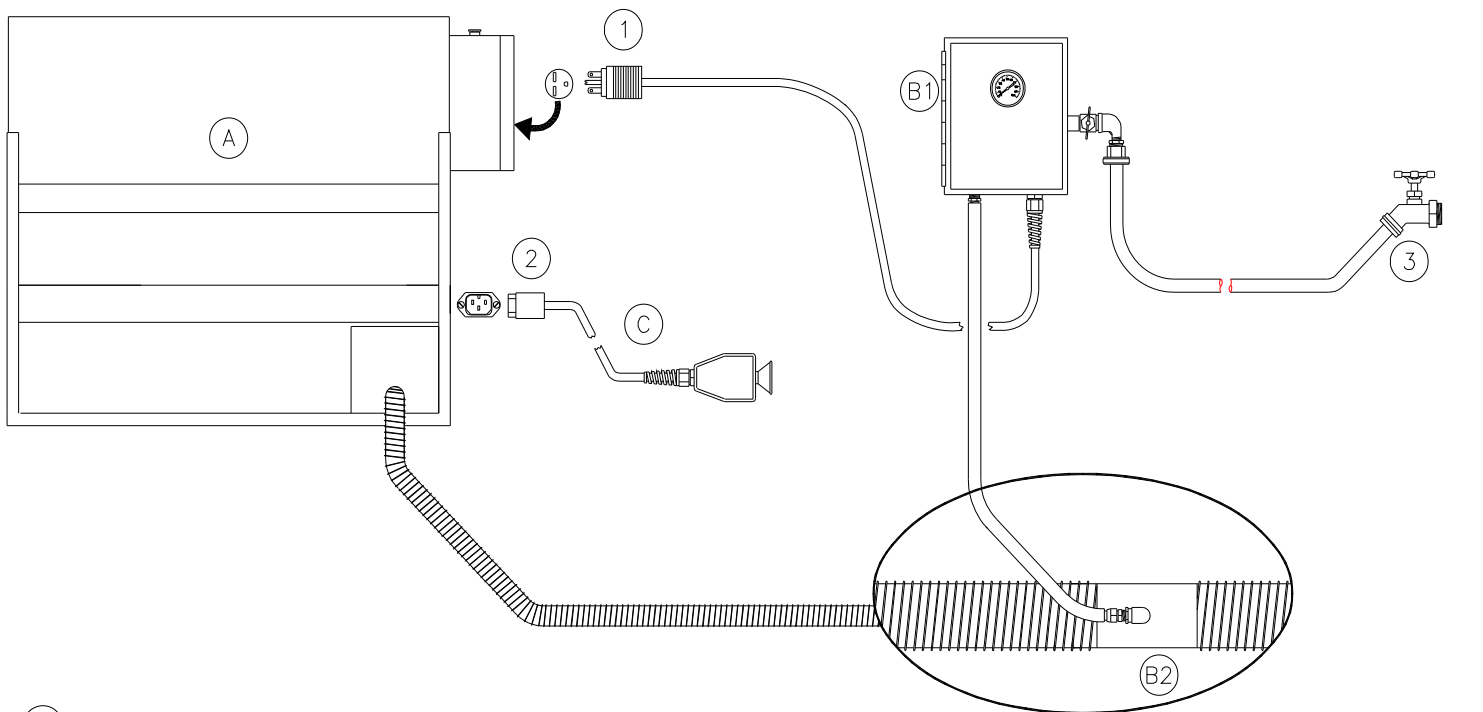


GENERAL INFORMATION

OVERVIEW: The Stabilized Attic Spray Options are designed for use with Krendl all-fiber machines. For best results, recommended use is with Krendl Model #500, #1300 or #2300 3-stage double blower machines. These machines provide adequate air to eliminate nuisance plugging in hose, which may otherwise occur.

HOOK-UP:

- Connect a standard garden hose or pump system to the only open fitting on the Control Module.
- Insert the 1-Jet Hose Connector into the fiber blowing hose 4 feet from airlock output.



(A) KRENDL MODEL #500, #1300, or #2300 (with DOUBLE BLOWER)

(B1) INTERNAL WETTING SYSTEM (CONTROL MODULE)

(B2) INTERNAL WETTING SYSTEM (1-JET HOSE CONNECTOR TUBE)

(C) REMOTE CONTROL CORD

(1) 24 V.A.C. OUTLET

(2) 24 V.A.C. REMOTE CONTROL OUTLET

(3) WATER SUPPLY
(GARDEN HOSE or PUMP SYSTEM)