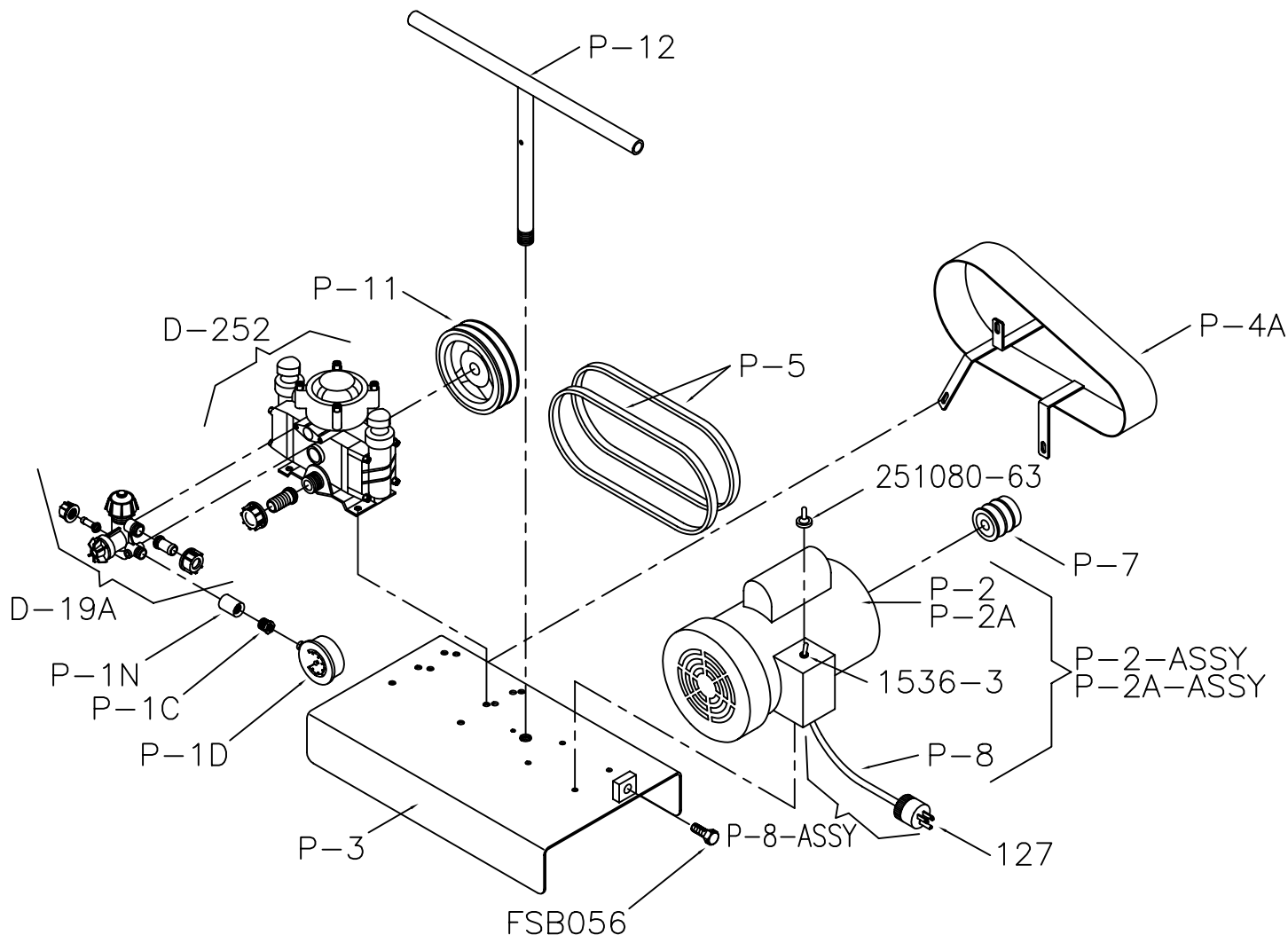


KRENDL MACHINE CO. INC.

MODEL #348A

PUMP & MOTOR

HYPRO D-252



PART NO.	DESCRIPTION
348A-60	PUMP & MOTOR,120/230V., 60 Hz. (ASSEMBLY)
348A-50	PUMP & MOTOR,120/230V., 50 Hz. (ASSEMBLY)
D-252	D-19 DIAPHRAGM PUMP (9910-D252)
D-19A	RELIEF VALVE ASSEMBLY (COMPLETE) (9910-809060)
P-1C	BUSHING 1/4" TO 3/8" NPT (41403)
P-1D	PRESSURE GAUGE 0-600 P.S.I
P-1N	COUPLER 3/8" NPT (41433)
P-2-ASSY	MOTOR 1 H.P. 120/230 V., 60 Hz., T.E.F.C. ASSY
P-2A-ASSY	MOTOR 1 H.P. 120/230 V., 50 Hz., T.E.F.C. ASSY
P-2	MOTOR 1 H.P. 120/230 V., 60 Hz., T.E.F.C.
P-2A	MOTOR 1 H.P. 120/230 V. 50 Hz., T.E.F.C.
P-3	BASE
P-4A	BELT GUARD
P-5	V-BELT {2 REQUIRED} (#4L330)
P-7	DOUBLE PULLEY 2" DIA. x 5/8" BORE(2AK20x5/8)
127	PLUG NEMA# 5-15P (5266C)
P-8	CORD #12-3(SJ) x 32"
P-8-ASSY	CORD ASSY (includes: CORD & PLUG)
1536-3	SWITCH, TOGGLE (SPST) (2FA54-73)
251080-63	COVER F/TOGGLE SWITCH
P-11	PULLEY 5 1/4" DIA. x 3/4" BORE (2AK54x3/4)
P-12	T-HANDLE
FSB056	1/2 - 13 x 1 3/4 Hex Head